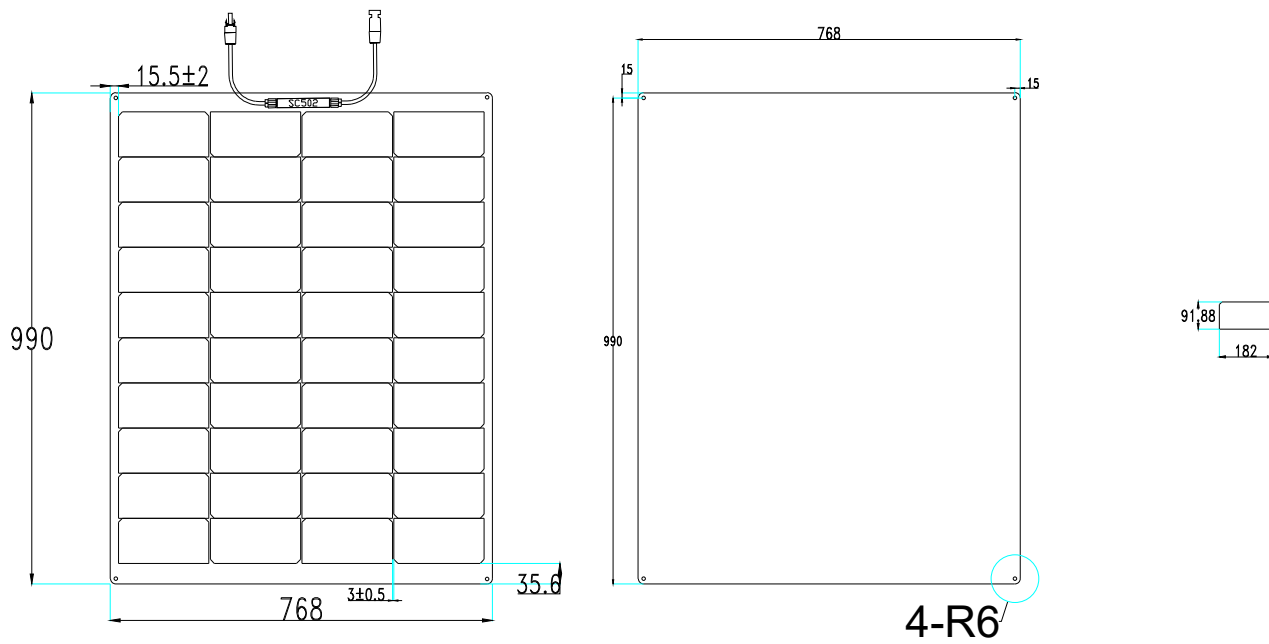

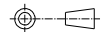


版本: A01
 图纸标号:

RANGE	TOL ±
0~10	0.20
10~50	0.30
50~100	0.50
100~500	1.00
500~2000	2.00
ANG.TOL ±	1°



ELECTRICAL PERFORMANCE	
Maximum Power(Pmax/W)	150W
Power Tolerance	±3%
Maximum Power Voltage(Vm/V)	22.4V
Maximum Power Current(I _m /A)	6.70A
Open Circuit Voltage(Voc/V)	26.88V
Short Circuit Current(Isc/A)	6.98A

编号	修订内容	修订人	修订日期	Panel Drawing PROPRIETARY AND CONFIDENTIAL THE INFORMATION CONTAINED IN THIS DRAWING IS THE SOLE PROPERTY OF ZHIHUI. ANY REPRODUCTION IN PART OR AS A WHOLE WITHOUT THE WRITTEN PERMISSION OF ZHIHUI IS PROHIBITED.	 智微阳光
(1)	初版发行				
(2)					Projection: 
(3)					Unit: mm Scale: N/A
(4)				制定人	审核人
制定日期		审核日期		Total: 1 Page 1	